



LOGIC DESIGN LAB

MANUAL

NEC-353

DEPARTMENT OF ELECTRONICS AND COMMUNICATION ENGINEERING

27, Knowledge Park-III, Greater Noida, (U.P.)

Phone : 0120-2323854-58

website :- www.dronacharya.info

Contents

SYLLABUS FOR DIGITAL LOGIC DESIGN LAB	3
EXPERIMENT - 1.....	5
EXPERIMENT - 2.....	12
EXPERIMENT - 3.....	17
EXPERIMENT -4	23
EXPERIMENT-5	28
EXPERIMENT-6	32
EXPERIMENT-7	36
EXPERIMENT-8	41

SYLLABUS FOR LOGIC DESIGN LAB

NEC-353: Logic Design Lab

Objective: To understand the digital logic and create various systems by using these logics.

1. Introduction to digital electronics lab- nomenclature of digital ICs, specifications, study of the data sheet, concept of V_{cc} and ground, verification of the truth tables of logic gates using TTL ICs.
2. Implementation of the given Boolean function using logic gates in both SOP and POS forms.
3. Verification of state tables of RS, JK, T and D flip-flops using NAND & NOR gates.
4. Implementation and verification of Decoder/De-multiplexer and Encoder using logic gates.
5. Implementation of 4x1 multiplexer using logic gates.
6. Implementation of 4-bit parallel adder using 7483 IC.
7. Design, and verify the 4-bit synchronous counter.
8. Design, and verify the 4-bit asynchronous counter.
9. Mini Project.

STUDY AND EVALUATION SCHEME

SESSIONAL EVALUATION:-

CLASS TEST : 10 MARKS

TEACHER'S ASSESMENT : 10 MARKS

EXTERNAL EXAM : 30 MARKS

TOTAL : 50 MARKS

EXPERIMENT - 1

Aim:-

Introduction to digital electronics lab- nomenclature of digital ICs, specifications, study of the data sheet, concept of Vcc and ground, verification of the truth tables of logic gates using TTL ICs.

Apparatus Required:-

Digital lab kit, single strand wires, breadboard, TTL IC's

Gates	IC NO.
AND	7408
OR	7432
NAND	7400
NOR	7402
NOT	7404
XOR	74136

Theory:-

Logic gates are idealized or physical devices implementing a Boolean function, which it performs a logical operation on one or more logical inputs and produce a single output. Depending on the context, the term may refer to an ideal logic gate, one that has for instance zero rise time and unlimited fan out or it may refer to an non-ideal physical device.

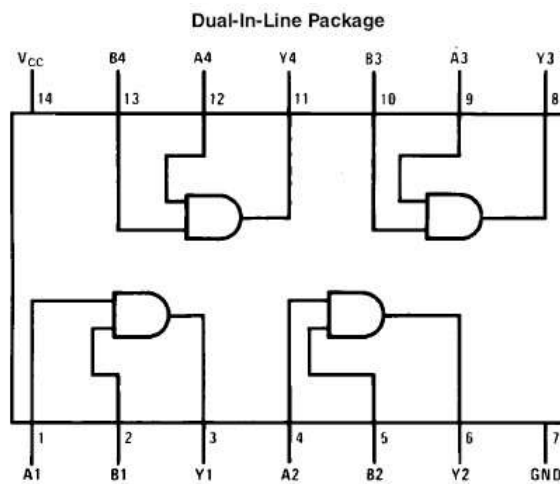
The main hierarchy is as follows:-

1. Basic Gates
2. Universal Gates
3. Advanced Gates

Basic Gates

1. **AND gate:** - Function of AND gate is to give the output true when both the inputs are true. In all the other remaining cases output becomes false. Following table justifies the statement:-

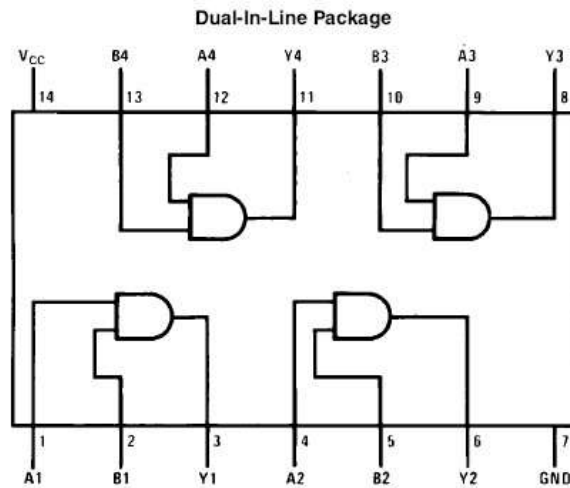
Input A	Input B	Output
1	1	1
1	0	0
0	1	0
0	0	0



IC 7408

2. **OR gate:** - Function of OR gate is to give output true when one of the either inputs are true .In the remaining case output becomes false. Following table justify the statement:-

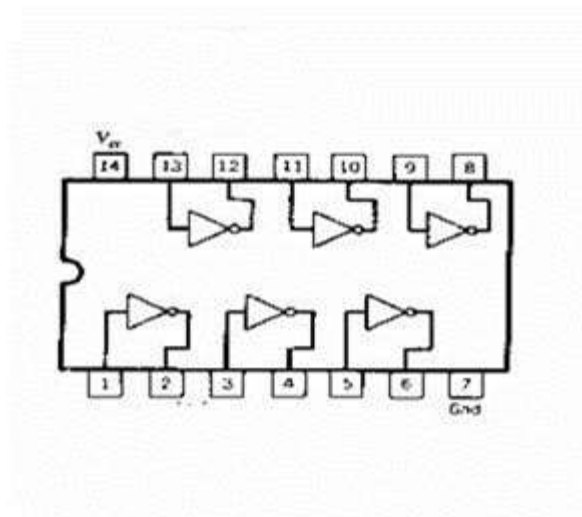
Input A	Input B	Output
0	0	0
0	1	1
1	0	1
1	1	1



IC 7432

3. **NOT gate:** -Function of NOR gate is to reverse the nature of the input .It converts true input to false and vice versa. Following table justifies the statement :-

Input	Output
1	0
0	1

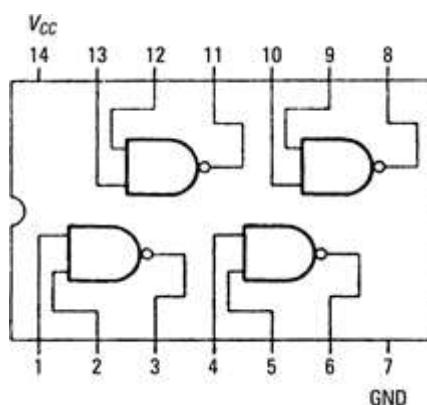


IC 7404

Universal Gates

1. **NAND gate:** -Function of NAND gate is to give true output when one of the two provided input are false. In the remaining output is true case .Following table justifies the statement :-

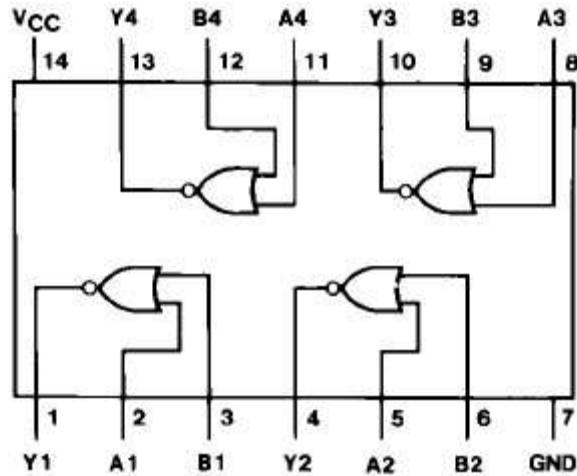
Input A	Input B	Output
1	1	0
1	0	1
0	1	1
0	0	1



IC 7400

2. **NOR gate:** - NOR gate gives the output true when both the two provided input are false. In all the other cases output remains false. Following table justifies the statement :-

Input A	Input B	Output
1	1	0
1	0	0
0	1	0
0	0	1

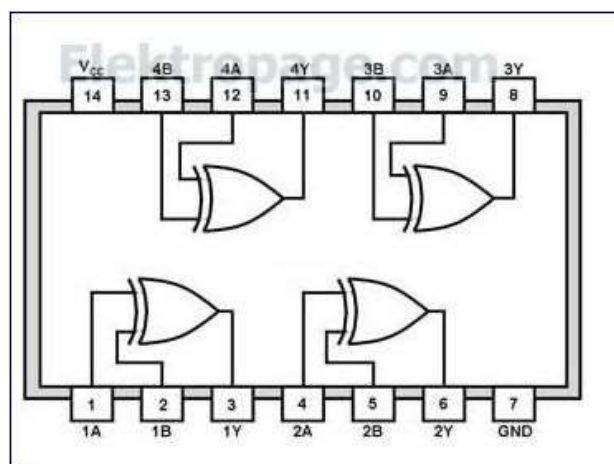


IC 7402

Advanced Gates

1. **XOR gate:** - The function of XOR gate is to give output true only when both the inputs are true. Following table explain this:-

Input A	Input B	Output
1	1	0
1	0	1
0	1	1
0	0	0



IC 74136

Procedure:-

- Place the breadboard gently on the observation table.
- Fix the IC which is under observation between the half shadow line of breadboard, so there is no shortage of voltage.
- Connect the wire to the main voltage source (V_{cc}) whose other end is connected to last pin of the IC (14 place from the notch).
- Connect the ground of IC (7th place from the notch) to the ground terminal provided on the digital lab kit.
- Give the input at any one of the gate of the ICs i.e. 1st, 2nd, 3rd, 4th gate by using connecting wires.(In accordance to IC provided).
- Connect output pins to the led on digital lab kit.
- Switch on the power supply.
- If led glows red then output is true, if it glows green output is false, which is numerically denoted as 1 and 0 respectively. The Color can change based on the IC manufacturer it's just verification of the Truth Table not the color change.

Result:-

All gates are verified. Observed output matches theoretical concepts.

Precautions:-

- All connections should be made neat and tight.
- Digital lab kits and ICs should be handled with utmost care.
- While making connections main voltage should be kept switched off.
- Never touch live and naked wires.

Pre Experiment Questions:-

1. What is a logic gate?

Ans: Logic gate is a physical device implementing a Boolean function and performs

Logical operation on one or more logic inputs and produces a single logic output.

2. What are universal gates?

Ans: NAND and NOR gates are called universal gates as any type of logic gates or logic

Functions can be implemented by these gates.

3. What are basic gates?

Ans: AND, OR, Not are called basic gates.

4. State De-Morgan's theorem.

Ans: $(x+y)^1 = x^1 y^1$

$$(xy)^1 = x^1 + y^1$$

5. What is the primary motivation for using Boolean algebra to simplify logic expressions?

Ans: (1) Boolean algebra reduces the number of inputs required.

(2) It will reduce number of gates

(3) It makes easier to understand the overall function of the circuit.

Post Experiment Questions:-

1. Which of the logical operations is represented by the + sign in Boolean algebra?

Ans: OR gate

2. Which of the two input logic gate can be used to implement an inverter circuit?

Ans: Ex-NOR gate

3. Which are the logic gates whose all output entries are logic 1 except for one entry there is logic 0?

Ans: NAND and NOR gate

4. TTL operates from a __5__ volt supply.

5. When the output of a NOR gate is high?

Ans : If all the inputs are low

EXPERIMENT- 2

Aim:-Implement of the given Boolean function using logic gates in both SOP and POS forms

Two input SOP - $A.B + A'.B'$

Two input POS: - $(A+B)(B+C)(A+C')$

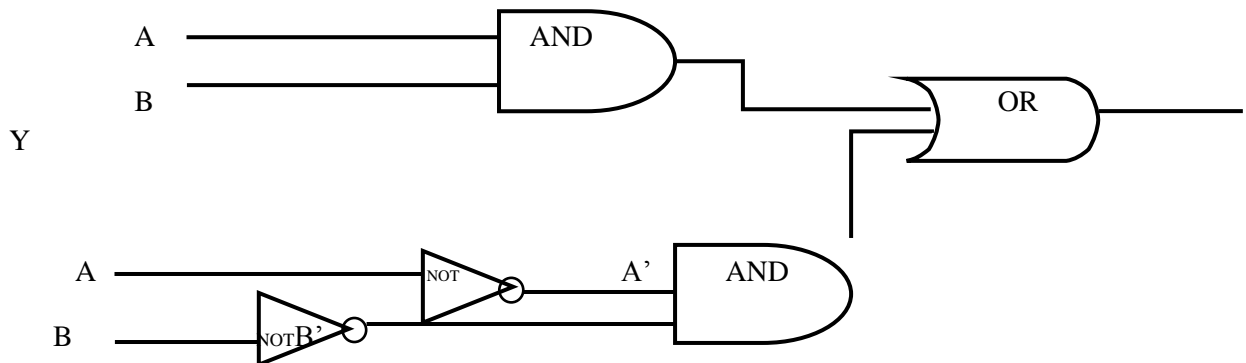
Apparatus required:-Digital Lab Kit, Single Strand Wires, ICs, breadboards, Connecting Wires.

Theory:-

- a) **SOP:** - It is the Sum of product form in which the terms are taken as 1. It is denoted in the K-map expression by sigma (Σ)

$A.B. + A'B'$

Logic Circuit Of this expression:-



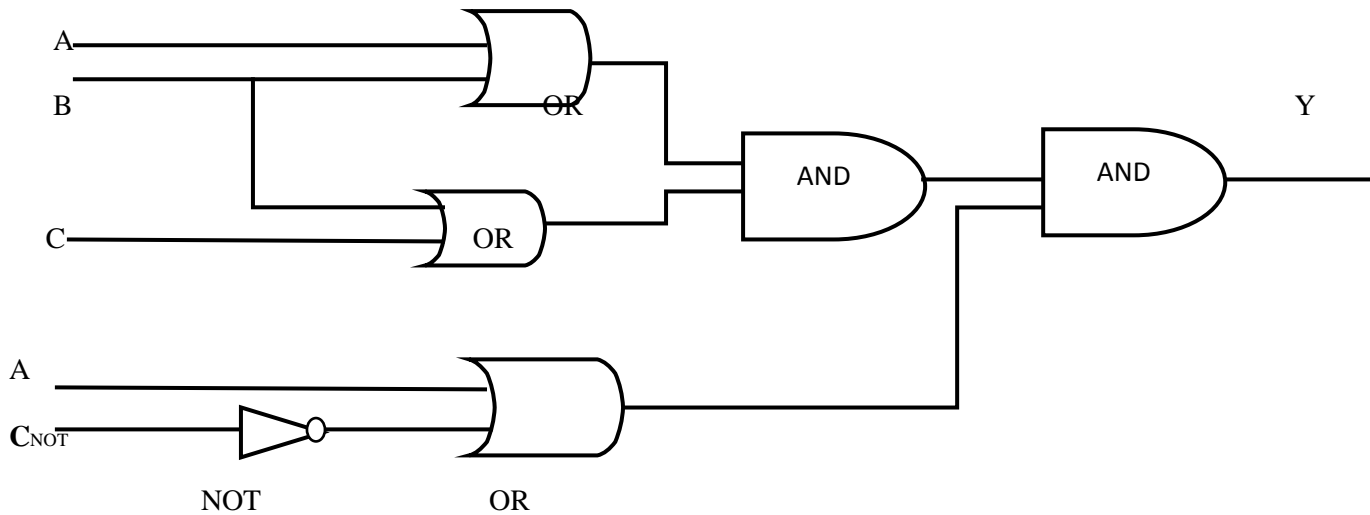
Truth Table for this SOP expression

A	B	A'	B'	A.B	A'.B'	Y= AB' + AB'
0	0	1	1	0	1	1
0	1	1	0	0	0	0
1	0	0	1	0	0	0
1	1	0	0	1	0	1

b) **POS:** - It is the product of the sums form in which the terms are taken as 0. It is denoted in the K-Map expression by the Sign pie (π)

$$(A+B)(B+C)(A+C')$$

Circuit Diagram



Truth Table for POS expression

A	B	C	A+B	B+C	A+C'	Y = (A+B)(B+C)(A+C')
0	0	0	0	0	1	0
0	0	1	0	1	0	0
0	1	0	1	1	1	1
0	1	1	1	1	0	0
1	0	0	1	0	1	0
1	0	1	1	1	1	1
1	1	0	1	1	1	1
1	1	1	1	1	1	1

Procedure: -

For SOP form: - $A.B + A'.B'$

1. Place the Digital lab kit at one place.
2. Take the one AND gate ICs i.e. IC no.7408, one NOT gate IC i.e. IC no. 7404 and one OR gate IC i.e. IC no. 7432.
3. Place these 3 ICs in the breadboard one by one.
4. Now, connect the AND gate with the inputs of A and B and other AND gate in the same IC is given by the complement input of the A and B i.e. A' and B' by using NOT gate with the help of connecting wires.
5. Give the output voltage Vcc and GROUND to all the ICs separately.

6. When whole configuration is read, gently on the switch and note there output of different values of A and B i.e. either 0 or 1.

For POS form :- $(A+B)(B+C)(A+C')$

1. Place the Digital lab kit at one place.
2. Take the 1 **OR**, 1 **AND**, 1 **NOT** gates IC
3. Place these 3 ICs in the breadboard one by one.
4. Now, connect the OR gate of Input A or B, B or C and last one is A or C' (i.e. complement of C using NOT gate. Inputs are connected with the help of connecting wires.
5. When whole circuit is complete, on the switch and note down the output with different values of A, B and C.

Result:-Hence, given Boolean Expression is implemented by the Logic Gates.

i.e. (i) $A.B + A'.B'$

(ii) $(A+B) (B+C) (A+C')$

Precautions:-

1. Connecting wires should be rubbed with sand papers so that there is no rust.
2. Make sure that the apparatus is switched off while placing ICs and connecting of wires.
3. The connections should be tight.
4. ICs are placed in a proper way in the breadboard. There is no short of current in the in same inputs.

Pre Experiment Questions:-

- 1) What is a combinational circuit?

Ans : A combinational circuit is one where the output at any time depends only on the present combinations of inputs at that point of time.

- 2) What is a sequential circuit?

Ans: Sequential circuit consists of a combinational circuit to which storage elements are Connected to form a feedback path.

3) What are the various methods of simplifying the Boolean function.

Ans: (1) Algebraic method
(2) Karnaugh method
(3) Variable entered mapping technique
(4) Quine – McCuskey method

4) What do you mean by minterm?

Ans: Minterms are the product terms which contain all variables either in normal or complement form.

5) What do you mean by maxterm?

Ans: Maxterms are the sum terms which contain all variables either in normal or complement form.

Post Experiment Questions:-

1) Convert the expression $Y=AC^1+ AB+AC$ into SOP form.

Ans : $Y= AC^1(B+B^1) + AB (C+ C^1) + BC (A+A^1)$
 $= ABC^1+ AB^1C^1+ ABC + ABC^1+ABC + A^1BC$
 $= ABC^1+ AB^1C^1+ ABC + A^1BC$

2) Convert the POS expression $Y= (A+B) (B+C) (A+C)$ into canonical POS expression.

Ans: $Y= (A+B+CC^1) (B+C+AA^1) (A+C +BB^1)$
 $= (A+B+C) (A+B+C^1) (A+B+C) (A^1+B+C) (A+B+C) (A+B^1+C)$
 $= (A+B+C) (A+B+C^1) (A+B+C) (A^1+B+C)$

3) Define POS.

Ans: POS form expression contains two or more OR terms which are ANDed together to form POS expression.

4) Define SOP.

Ans: SOP form expression contains two or more AND terms which are ORed together.

5) Define canonical form representation of Boolean function.

Ans: If each term in SOP and POS form contains all the literals that are known then these are known as canonical form.

EXPERIMENT- 3

Aim: -Verification of state tables of

- 1 . R-S flip-flop
2. J - K flip-flop
3. T Flip-Flop
4. D Flip-Flop

Using NAND and NOR gates.

Apparatus:- IC 7400 (NAND Gate), IC 7402 (NOR Gate), IC 7408 (AND Gate).

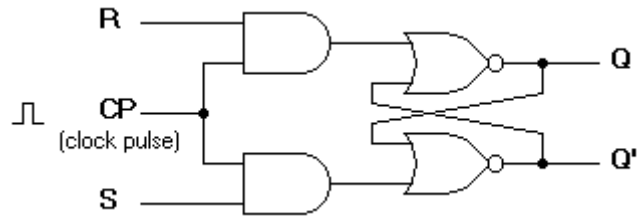
Theory: -In case of sequential circuits the effect of all previous inputs on the outputs is represented by a state of the circuit. Thus, the output of the circuit at any time depends upon its current state and the input. These also determine the next state of the circuit. The relationship that exists among the inputs, outputs, present states and next states can be specified by either the state table or the state diagram.

State Table: -The state table representation of a sequential circuit consists of three sections labelled present state next state and output. The present state designates the state of flip-flops before the occurrence of a clock pulse. The next state shows the states of flip-flops after the clock pulse, and the output section lists the value of the output variables during the present state.

Flip-Flop:-The basic one bit digital memory circuit is known as flip-flop. It can store either 0 or 1. Flip-flops are classified according to the number of inputs.

R-S Flip-Flop:- The circuit is similar to SR latch except enable signal is replaced by clock pulse.

Logic Diagram

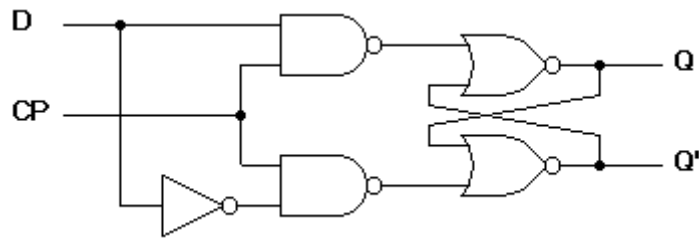


Characteristic table for S-R flip flop

Q	S	R	Q(t+1)
0	0	0	0
0	0	1	0
0	1	0	1
0	1	1	indeterminate
1	0	0	1
1	0	1	0
1	1	0	1
1	1	1	indeterminate

D Flip-Flop:-The modified clocked SR flip-flop is known as D-flip-flop. From the truth table of SR flip-flop we see that the output of the SR flip-flop is in unpredictable state when the inputs are same and high. In many practical applications, these input conditions are not required. These input conditions can be avoided by making them complement of each other.

Logic Diagram

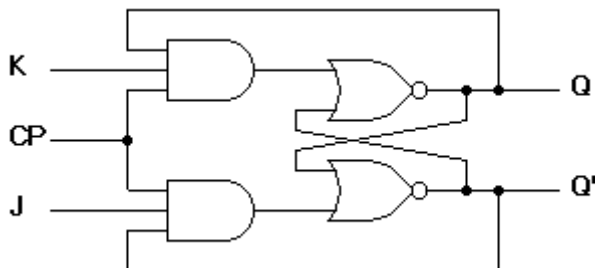


Characteristic table for D flip flop

Q	D	Q(t+1)
0	0	0
0	1	1
1	0	0
1	1	1

J-K Flip-Flop:- In a RS flip-flop the input R=S=1 leads to an indeterminate output. The RS flip-flop circuit may be re-joined if both inputs are 1 than also the outputs are complement of each other.

Logic Diagram

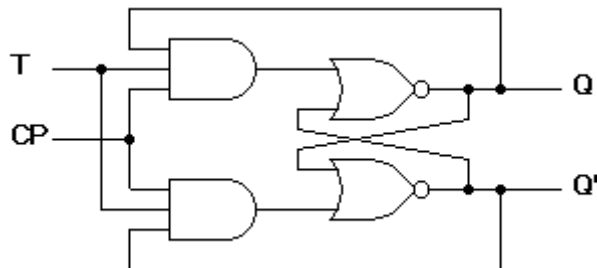


Characteristic table for J-K flip flop

Q	J	K	Q(t+1)
0	0	0	0
0	0	1	0
0	1	0	1
0	1	1	1
1	0	0	1
1	0	1	0
1	1	0	1
1	1	1	0

T Flip-Flop: T flip-flop is known as toggle flip-flop. The T flip-flop is modification of the J-K flip-flop. Both the JK inputs of the JK flip-flop are held at logic 1 and the clock signal continuous to change.

Logic Diagram



Characteristic table for T flip flop

Q	T	Q(t+1)
0	0	0
0	1	1
1	0	1
1	1	0

Procedure:-

1. Connections are made as per circuit diagram.
2. Verify truth-tables for various combinations of input.

RESULT:- Study and verified truth-tables of various flip-flops.

Precaution:-

1. All the IC's should be checked before use the apparatus.
2. All LED's should be checked.
3. All connections should be tight.
4. Always connect GROUND first and then Vcc
5. The circuit should be off before change the connections.6.After completing the experiment switch off the supply to apparatus.

Pre Experiment Questions:-

1) What is a latch?

Ans: Storage elements that operate with signal levels are referred to as latches.

2) What is a flip flop?

Ans: Storage elements controlled by a clock transitions are called flip flop.

3) Differentiate between a latch and a flip flop.

Latch	Flip flop
1) A latch checks all its inputs continuously and changes its outputs accordingly at any time.	1) Flip flop samples its inputs and changes its outputs only at a time as determined by a clocking signal.
2) No clock is used	2) A clock is used

4) Differentiate between combinational and sequential circuits.

Combinational circuits.	Sequential circuits.
1) A circuit whose output is dependent only on the inputs at that instant	1) It depends on present and past history of the inputs
2) Easy to design	2) Harder to design
3) More expensive circuit	3) Cheaper circuit

5) What happens to the JK flip flop if the J input is treated as an inverter is wired between J and K inputs?

Ans: JK flip flop becomes D flip flop

Post Experiment Questions:-

1) How is a JK flip flop made to toggle?

Ans : If J=1 and K=1

2) When a JK flip flop is in a no change condition?

Ans: If $J=0$ and $K=0$

3) Which is the basic sequential building block in which the output follows the data input as long as the enable input is active?

Ans: D latch

4) Define the characteristic equation of a flip flop.

Ans: The algebraic description of the next state of the flip flop is called characteristic equation.

5) How many stable states a flip flop has?

Ans: 2 stable states

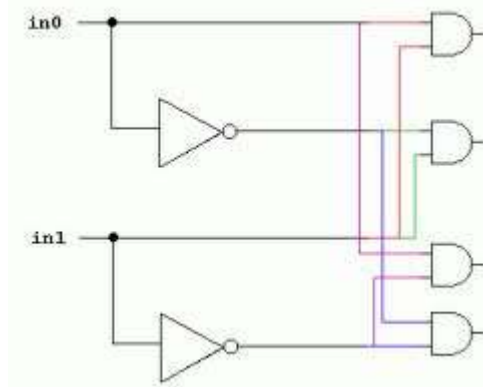
EXPERIMENT -4

Aim: -Implementation and verification of decoder, de-multiplexer and encoder, using logic gates.

Apparatus: -Digital trainer kit, 7432 IC, 7404 IC, 7411 IC and Connecting wires.

Theory:-

Decoder:-A decoder is a multi-inputand multi output combinational logic circuit which converts coded input into coded outputs, where the input and output coded are different.



Logic Diagram of 2 to 4 decoder

INPUTS			OUTPUTS			
\overline{EN}	B	A	$\overline{Y0}$	$\overline{Y1}$	$\overline{Y2}$	$\overline{Y3}$
0	0	0	0	1	1	1
0	0	1	1	0	1	1
0	1	0	1	1	0	1
0	1	1	1	1	1	0
1	X	X	1	1	1	1

X = Dont Care State

Truth table of 2 to 4 decoder

Procedure:-

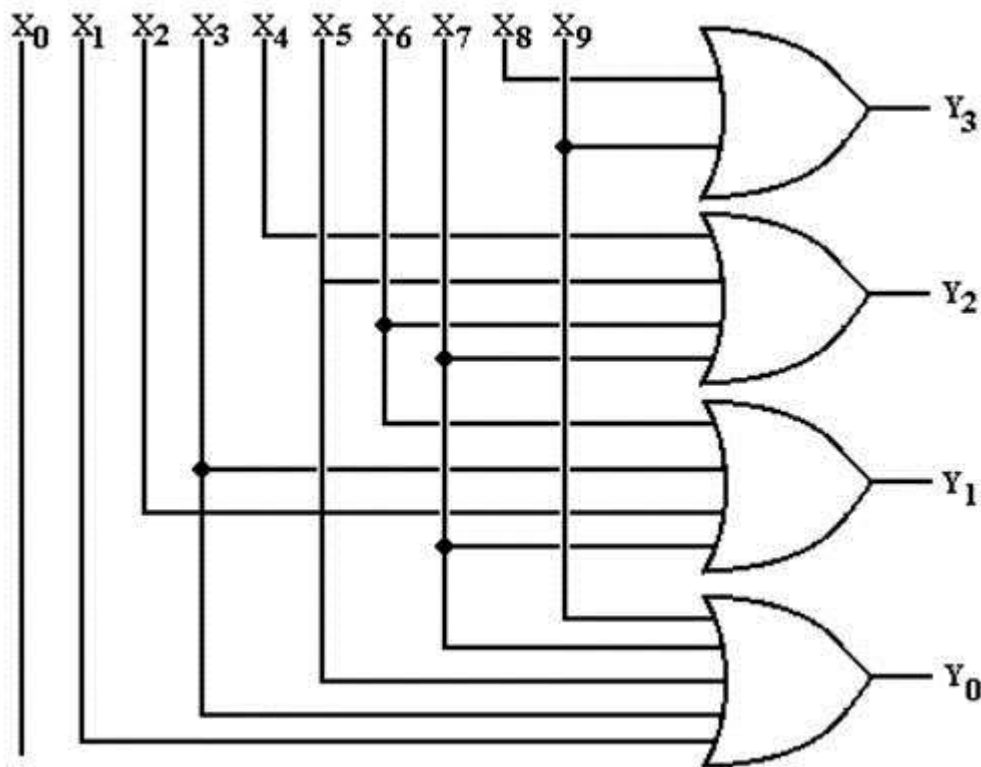
- Connect the supply from the trainer kit through patch cords; also connect circuit as per circuit diagram.

- Give the input to A, B and EN through switch.
- Observe the output Y0 to Y3 on the trainer kit through LEDs.

For different combinations of inputs observe the outputs and match them with truth table.

ENCODER:-An encoder is a combinational logic circuit .It is the reverse of a decoder function. It has 2^n input and n output lines. An encoder accepts an active level on one of its inputs representing a digit such as a decimal /octal digit and it convert to coded output.

Encoder is used at the starting stage to encode the message into a unique code. Encoder encodes different types of messages into various forms. In Digital Circuits it encodes a decimal value into a binary word. The encoded binary word has number of bits associated with it. The number of bits depends upon the decimal value which is being encoded. For example in case of decimal values ranging from 0 to 7 the number of bits required to encode these values is 3.



Logic diagram of encoder

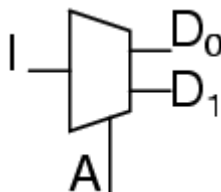
inputs								outputs		
D ₀	D ₁	D ₂	D ₃	D ₄	D ₅	D ₆	D ₇	x	y	z
1	0	0	0	0	0	0	0	0	0	0
0	1	0	0	0	0	0	0	0	0	1
0	0	1	0	0	0	0	0	0	1	0
0	0	0	1	0	0	0	0	0	1	1
0	0	0	0	1	0	0	0	1	0	0
0	0	0	0	0	1	0	0	1	0	1
0	0	0	0	0	0	1	0	1	1	0
0	0	0	0	0	0	0	1	1	1	1

Truth table of encoder

Procedure:-

1. Connect the supply from the trainer kit through patch chords; also connect circuit as per circuit diagram.
2. Give the input connections to I₀, I₁, I₂ and I₃.
3. Observe the output Y₀, Y₁ on the trainer kit through LED's
4. For different combinations of inputs observe the output and match the truth table

De- multiplexers:- A demultiplexer sometimes abbreviated d-mux, is a circuit that has one input and more than one output. It is used when a circuit wishes to send a signal to one of many devices. This description sounds similar to the description given for a decoder, but a decoder is used to select among many devices while a demultiplexer is used to send a signal among many devices.



Logic diagram of demultiplexer

I	A	D ₀	D ₁
0	0	0	0
0	1	0	0
1	0	1	0
1	1	0	1

Truth table of demultiplexer

Procedure:-

1. Connect the supply from the trainer kit through patch chords, also connect circuit as per circuit diagram
2. Give input connections at I, and at selection line.
3. Observe the output D₀,D₁ on the trainer kit through LED's.
4. For different combinations of inputs observe the output and match the truth table

RESULT:- Truth tables of Encoder, de-multiplexers and decoder are verified

Precautions:-

- All connections should be made neat and tight.
- Digital lab kits and ICs should be handled with utmost care.
- While making connections main voltage should be kept switched off.
- Never touch live and naked wires.

Pre Experiment Questions:-

- 1) What is a decoder?

Ans: A decoder is a combinational circuit which has n inputs and to a maximum of 2ⁿ outputs.

- 2) What is a demultiplexer?

Ans: Demultiplexer is a combinational logic circuit which accepts one input and distributes it over several outputs.

3) Differentiate between decoder and demultiplexer.

Ans: A decoder is a combinational circuit which has n inputs and to a maximum of 2^n outputs. A decoder with enable input is known as demultiplexer.

4) What is an encoder?

Ans: An encoder is a combinational circuit which has 2^n input lines and n output lines.

5) What is priority encoder?

Ans: In priority encoder if two or more inputs are equal to 1 at the same time, the input having the highest priority will take precedence.

Post Experiment Questions:-

1) Which digital system translates coded characters into a more useful form?

Ans: Decoder

2) Why is a demultiplexer called data distributor?

Ans: Because the input will be distributed to one of the outputs.

3) Give the applications of decoder.

Ans: Decoders are used for data distribution, code conversion and they are used to route the input data to a specified output line.

4) How many control inputs are there in 1:16 demultiplexer?

Ans: 4

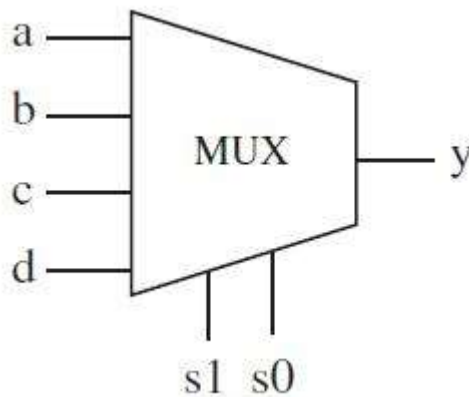
EXPERIMENT-5

Aim:-Implementation of 4x1 multiplexer, using logic gates.

Apparatus: -Digital trainer kit, AND-7411, OR-7432, NOT-7404 Gate IC, Connecting wires.

Theory:-

MULTIPLEXER: -A multiplexer (MUX) is a device that accepts data from one of many input sources for transmission over a common shared line. To achieve this MUX has several data lines and a single output along with data-select inputs, which permit digital data on any of the inputs to be switched to the output line. The logic symbol for a 1 to 4 data selector/multiplexer is shown in Figure



Block diagram of multiplexer

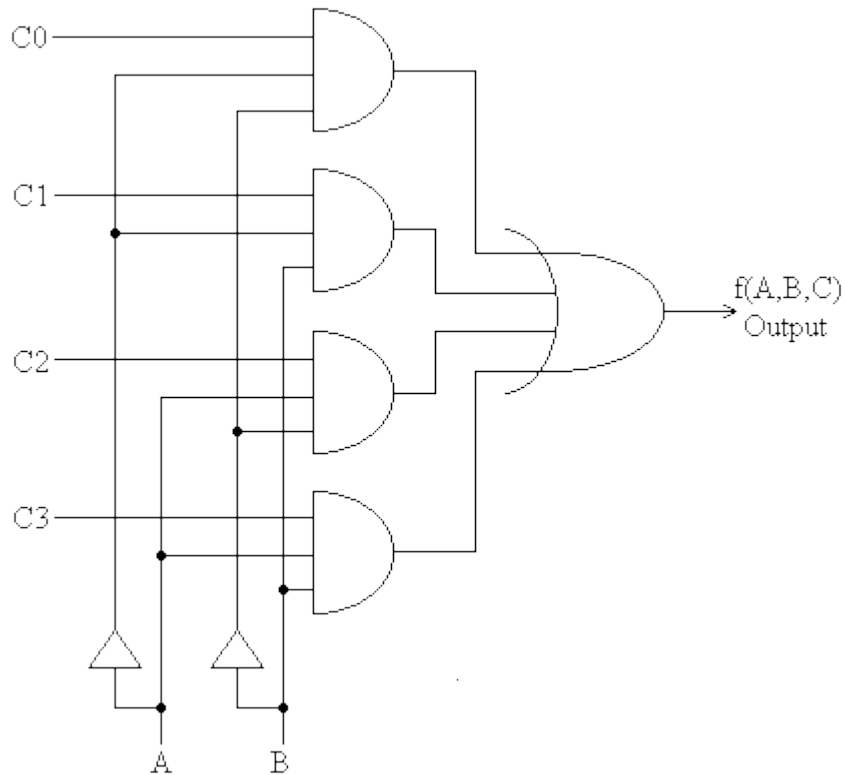
The selection lines decide the number of inputs lines of particular multiplexer. If the number of n inputs lines is equal to 2^m , then m select lines are required to select one of the n input line.

Note that if a binary zero appears on the data-select lines then data on input line D_0 will appear on the output. Thus, data output Y is equal to D_0 if and only if $S_1=0$ and $S_0=0$.

$Y=D_0.S_1'.S_0'$ Similarly, the data output is equal to D_1 , D_2 and D_3 for $y=C_1.S_1'.S_0'$, $Y=C_2.S_0'$, S_1 and $Y=C_3.S_0.S_1$ respectively. Thus the total multiplexer logic expression, formed from ORing terms i

The implementation of this equation is as shown in figure:

Logic diagram of multiplexer



DATA SELECT INPUT		INPUT SELECTED
S1	S0	
0	0	D0
0	1	D1
1	0	D2
1	1	D3

Truth table of mux

PROCEDURE:-

- 1 . Connections are made as per circuit diagram.
2. Verify the truth table.
3. Also connect Vcc and Ground then performed experiment.

Result:-Study of 4×1 multiplexer and verified its truth table.

Precautions:-

1. All ICs should be checked before starting the experiment.
2. All the connection should be tight.
3. Always connect ground first and then connect Vcc.
4. Suitable type wire should be used for different types of circuit.
5. The kit should be off before change the connections.
6. After completed the experiments switch off the supply of the apparatus

Pre Experiment Questions:-

1) What is a multiplexer?

Ans: A multiplexer accepts two or more streams of data and combines them into one stream.

2) How many select lines will a 16 to 1 multiplexer will have?

Ans: 4

3) What is the function of enable input on a multiplexer chip?

Ans: To activate the entire chip.

Post Experiment Questions:-

1) Why multiplexer is called as data selector?

Ans: Because multiplexer selects one of several input signals and directs to the output.

2) Give the applications of multiplexer.

Ans: Multiplexers are used in data routing, data selection, parallel to serial conversion and waveform generation.

3) How many control inputs are there in 16 to 1 demultiplexer?

Ans: 4

4) How many select lines will a 32:1 multiplexer will have?

Ans: For 32 inputs, 5 select lines will be required, as $2^5 = 32$.

EXPERIMENT-6

Aim: -Implementation of 4-bit parallel adder, using 7483 IC.

Apparatus:-

1. Digital Trainer Kit.
2. IC 7483
3. Connecting Wires

Theory:-

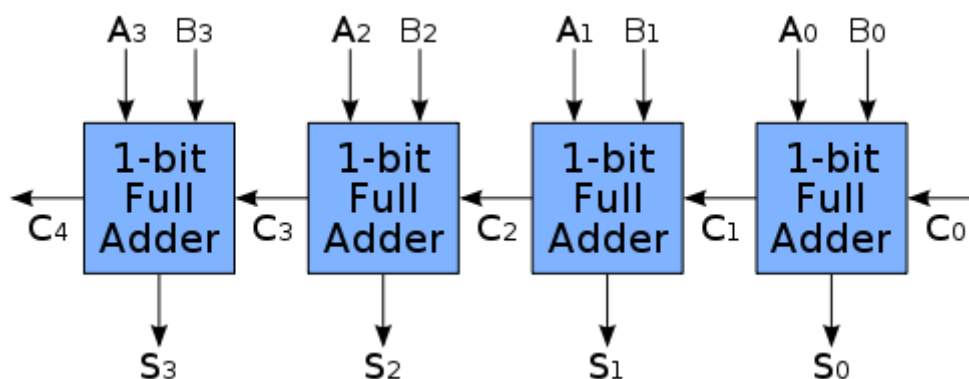
Adder: -An adder is a logic circuit which adds two or three bits at a time and give sum and carry as the result.

Parallel Adder:-

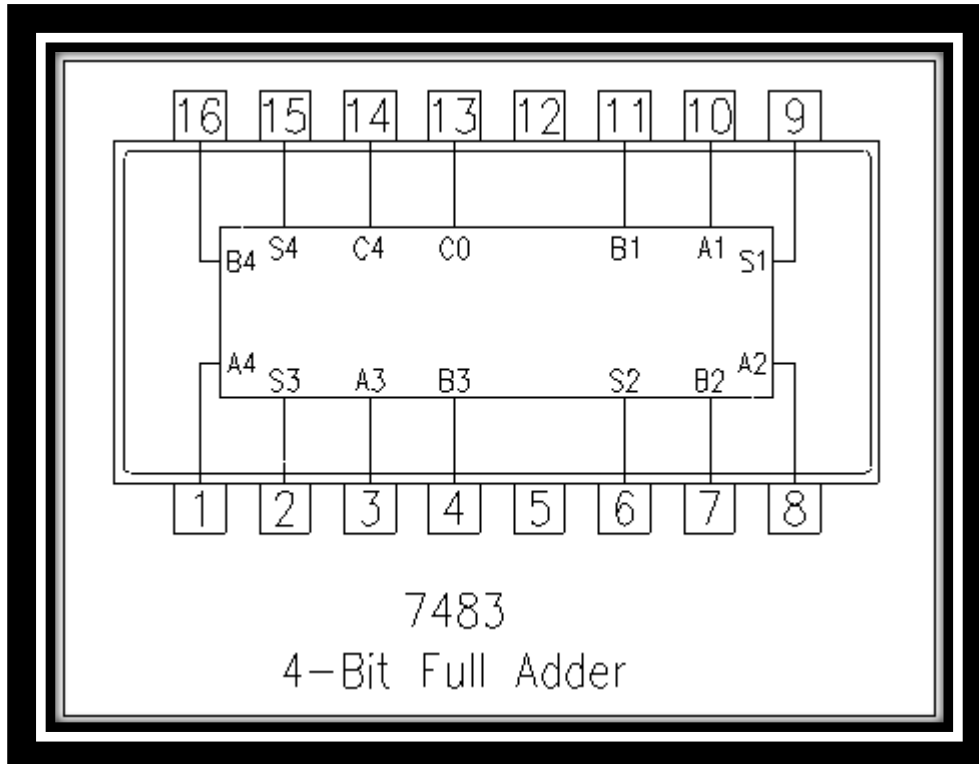
A n-bit parallel adder can be constructed using number of full adders circuit connected in parallel the carry output of each is connected to the carry input of the next higher-order adder. Since all the bits of the augends and addend are fed into the adder circuits simultaneously and the additions in each position are known as parallel adder.

A₃ A₂ A₁ A₀ → Augends bits
B₃ B₂ B₁ B₀ → Addend bits
S₃ S₂ S₁ S₀ → Sum bits

LOGIC DIAGRAM OF BCD ADDER



Pin diagram of IC 7483



Procedure:-

1. Connect ground and Vcc to 7483 IC from trainer kit through patch cords.
2. Connect inputs A0, A1, A2, A3 and B0, B1, B2, B3 to logic input switches.
3. Connect carry in from pin no.13 to ground so that carry input (CY1) will be logic '0' state.
4. Connect S0, S1, S2, S3 and carry out (CY0) from pin nos. 9, 6, 2, 15 and 14 to the output display.
5. Verify truth tables for different combinations of inputs.

TRUTH TABLE:-

The Truth table operation of the 4-bit Parallel Adder is shown below:

INPUTS									OUTPUTS				
A0	A1	A2	A3	B0	B1	B2	B3	CY1	S0	S1	S2	S3	CY0
0	0	0	1	0	1	0	1	1	1	1	0	0	1
1	0	0	0	1	1	1	0	0	0	0	0	0	1

Result:-

For various combinations of selected input lines, observed the LED output and verified the truth table.

Precautions:-

1. All ICs should be checked before starting the experiment.
2. All the connection should be tight.
3. Always connect ground first and then connect Vcc.
4. Suitable type wire should be used for different types of circuit.
5. The kit should be off before change the connections.
6. After completed the experiments switch off the supply of the apparatus.

Pre Experiment Questions:-

- 1) What is half adder?

Ans: A logic circuit which performs the operation of two binary bits is called a half adder.

- 2) Write the truth table for half adder.

Ans:

Inputs		Outputs	
A	B	S	C
0	0	0	0
0	1	1	0
1	0	1	0
1	1	0	1

- 3) What is full adder?

Ans: A full adder is a combinational logic circuit that performs the arithmetic sum of three input bits.

- 4) What is parallel adder?

Ans: Parallel adders are digital circuits that compute the addition of variable binary strings of equivalent or different size in parallel.

- 5) Write the truth table for full adder.

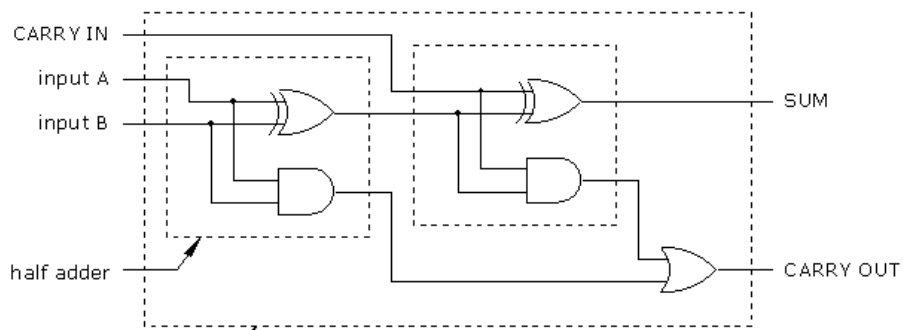
Ans:

A	B	C	S	Co
0	0	0	0	0
0	0	1	1	0
0	1	0	1	0
0	1	1	0	1
1	0	0	1	0

1	0	1	0	1
1	1	0	0	1
1	1	1	1	1

Post Experiment Questions:-

1) Draw the block diagram of full adder as a combination of two half adder.



Ans: full adder

2) Write the Boolean expression for the outputs S and Co of a full adder from the truth table.

Ans: $S = C (A B)$
 $C_o = AB + C(A B)$

3) What is the difference between adder and parallel adder?

Ans: serial adder adds bits serially but parallel adder add bits at the same time. Serial adder depends on previous outputs but parallel adder does not depends on previous outputs. Parallel adder takes less time to execute compare to serial adder.

4) How many full adders are required to construct an m-bit parallel adder?

Ans: m full adder

EXPERIMENT-7

Aim:- Design, and verify the 4-bit synchronous counter.

Apparatus:-

S.No.	COMPONENT	SPECIFICATION	QTY.
1.	JK FLIP FLOP	IC 7476	2
2.	4 I/P AND GATE	IC 7411	1
3.	OR GATE	IC 7432	1
4.	XOR GATE	IC 7486	1
5.	NOT GATE	IC 7404	1
6.	IC TRAINER KIT	-	1
7.	PATCH CORDS	-	35

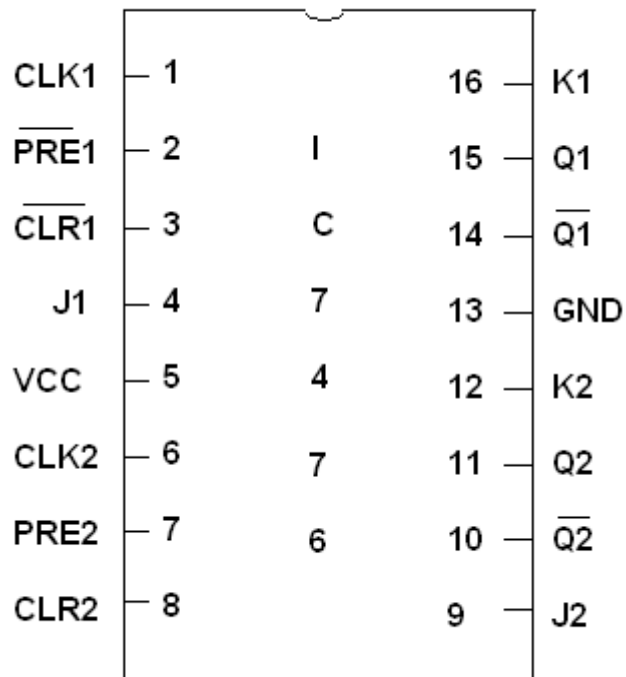
Theory:-

Synchronous counter: -A simple way of implementing the logic for each bit of an ascending counter (which is what is depicted in the image to the right) is for each bit to toggle when all of the less significant bits are at a logic high state. For example, bit 1 toggles when bit 0 is logic high; bit 2 toggles when both bit 1 and bit 0 are logic high; bit 3 toggles when bit 2, bit 1 and bit 0 are all high; and so on.

Synchronous counters can also be implemented with hardware finite state machines. Which are more complex but allow for smoother, more stable transitions?

Hardware-based counters are of this type and they can be implemented using the IC 7476

PIN DIAGRAM FOR IC 7476:



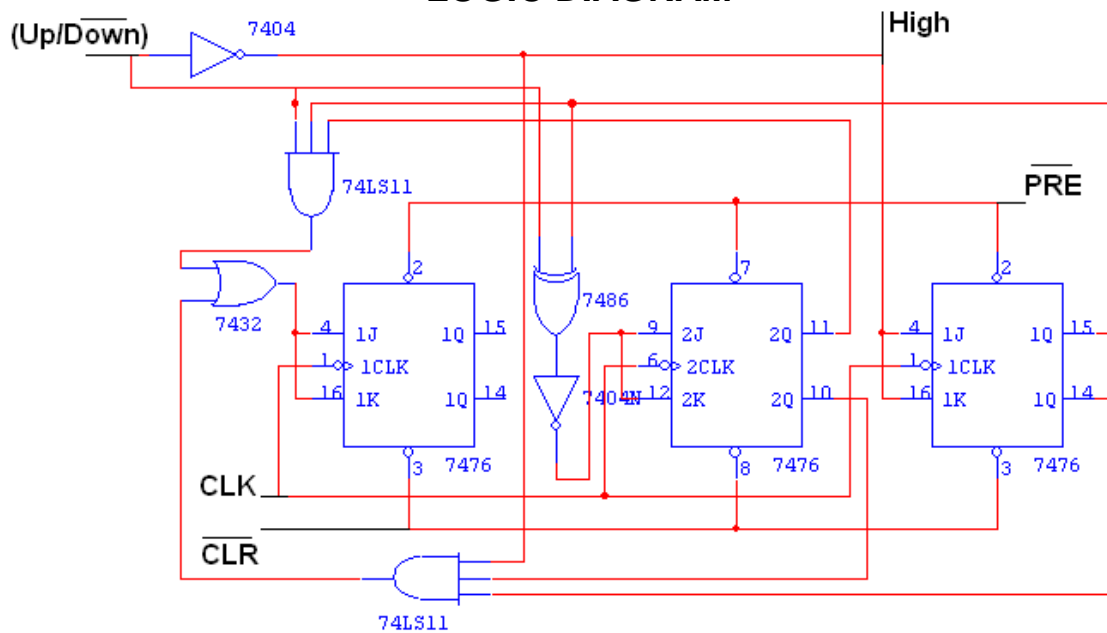
TRUTH TABLE:-

Input Up/Down	PresentState			NextState			A		B		C	
	Q _A	Q _B	Q _C	Q _{A+1}	Q _{B+1}	Q _{C+1}	J _A	K _A	J _B	K _B	J _C	K _C
0	0	0	0	1	1	1	1	X	1	X	1	X
0	1	1	1	1	1	0	X	0	X	0	X	1
0	1	1	0	1	0	1	X	0	X	1	1	X
0	1	0	1	1	0	0	X	0	0	X	X	1
0	1	0	0	0	1	1	X	1	1	X	1	X
0	0	1	1	0	1	0	0	X	X	0	X	1
0	0	1	0	0	0	1	0	X	X	1	1	X
0	0	0	1	0	0	0	0	X	0	X	X	1

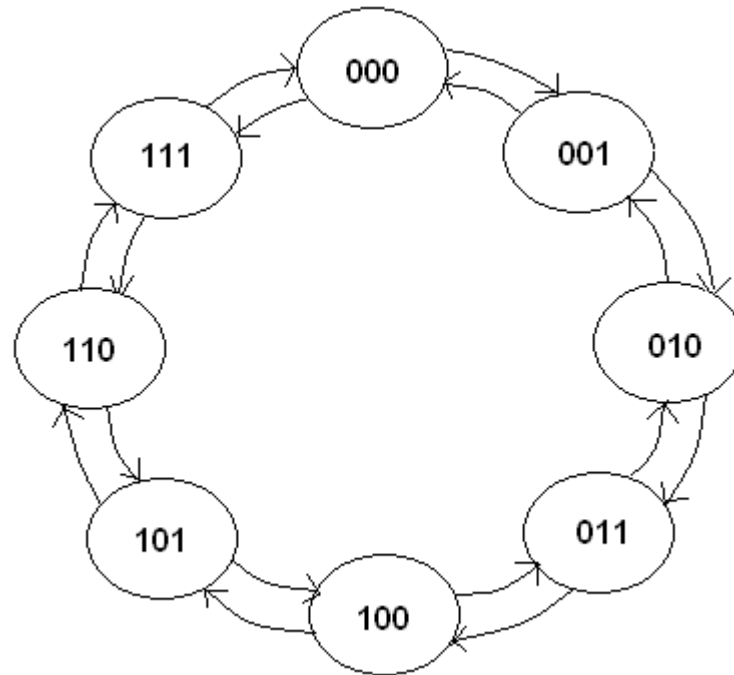
1	0 0 0	0 0 1	0 X	0 X	1 X
1	0 0 1	0 1 0	0 X	1 X	X 1
1	0 1 0	0 1 1	0 X	X 0	1 X
1	0 1 1	1 0 0	1 X	X 1	X 1
1	1 0 0	1 0 1	X 0	0 X	1 X
1	1 0 1	1 1 0	X 0	1 X	X 1
1	1 1 0	1 1 1	X 0	X 0	1 X
1	1 1 1	0 0 0	X 1	X 1	X 1

TRUTH TABLE OF 4 BIT SYNCHRONOUS COUNTERS

LOGIC DIAGRAM



State diagram



Procedure:-

- (i) Connections are given as per circuit diagram.
- (ii) Logical inputs are given as per circuit diagram.
- (iii) Observe the output and verify the truth table.

Result: -Study of 4 bit synchronous counters and verified its truth table.

Precautions:-

1. All ICs should be checked before starting the experiment.
2. All the connection should be tight.
3. Always connect ground first and then connect Vcc.
4. Suitable type wire should be used for different types of circuit.
5. The kit should be off before change the connections.
6. After completed the experiments switch off the supply of the apparatus

Pre Experiment Questions:-

1) What is a register?

Ans: A register is basically a set of flip flops logically connected to perform various operations.

2) What is the need of a register?

Ans Registers are used for temporary storage of binary information. Registers are also used for shifting the binary information stored in it.

3) What is a counter?

Ans: A counter is a sequential logic circuit capable of counting the number of clock pulses arriving at its clock input.

4) What is a synchronous counter?

Ans: Synchronous counter is one in which all the flip flops are triggered simultaneously by clock pulse.

5) How the synchronous counter eliminate the delay problems encountered with asynchronous counters.

Ans: In synchronous counters all the flip flops are triggered simultaneously by clock pulse. This eliminates the delay problem.

Post Experiment Questions:-

1) How many flip flops are required to construct a decade counter?

Ans: 4

2) How many different states a 3 bit synchronous counter have?

Ans: 8

3) For how many clock pulses the final output of a modulus 8 counter occur?

Ans: 8 clock pulses

4) A 4 bit up/down binary counter is in the down mode and in the 1100 state. To what state does the counter go on the next clock pulse.

Ans: 1011

EXPERIMENT-8

AIM: - To design and verify 4 bit ripple (asynchronous counter).

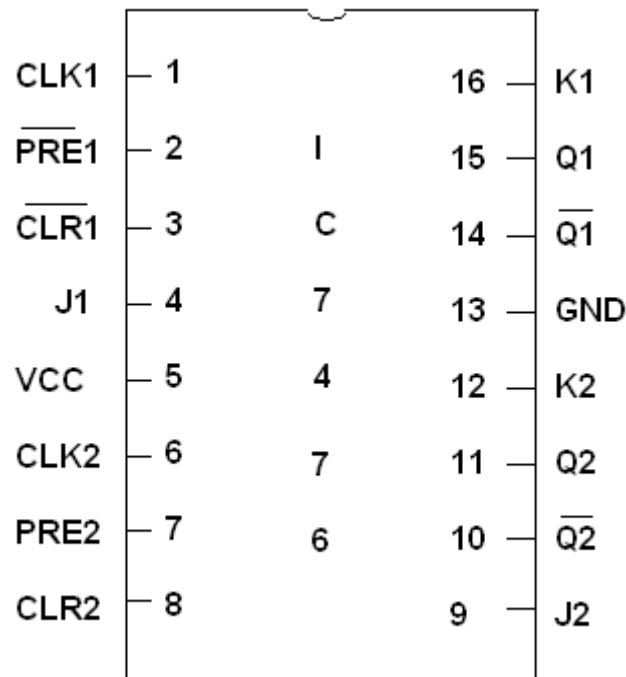
APPARATUS REQUIRED:-

S.No.	COMPONENT	SPECIFICATION	QTY.
1.	JK FLIP FLOP	IC 7476	2
2.	NAND GATE	IC 7400	1
3.	IC TRAINER KIT	-	1
4.	PATCH CORDS	-	30

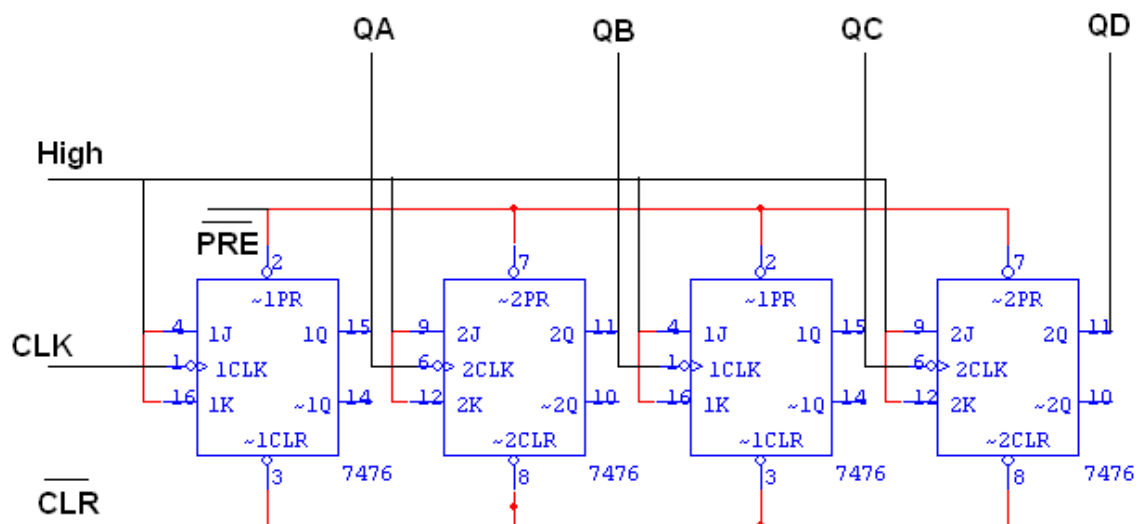
THEORY:-

A counter is a register capable of counting number of clock pulse arriving at its clock input. Counter represents the number of clock pulses arrived. A specified sequence of states appears as counter output. This is the main difference between a register and a counter. There are two types of counter, synchronous and asynchronous. In synchronous common clock is given to all flip flop and in asynchronous first flip flop is clocked by external pulse and then each successive flip flop is clocked by Q or Q output of previous stage. As soon the clock of second stage is triggered by output of first stage. Because of inherent propagation delay time all flip flops are not activated at same time which results in asynchronous operation.

PIN DIAGRAM FOR IC 7476:



LOGIC DIAGRAM FOR 4 BIT RIPPLE COUNTER:



TRUTH TABLE:-

CLK	QA	QB	QC	QD
0	0	0	0	0
1	1	0	0	0
2	0	1	0	0
3	1	1	0	0
4	0	0	1	0
5	1	0	1	0
6	0	1	1	0
7	1	1	1	0
8	0	0	0	1
9	1	0	0	1
10	0	1	0	1
11	1	1	0	1
12	0	0	1	1
13	1	0	1	1
14	0	1	1	1
15	1	1	1	1

Procedure:-

- (i) Connections are given as per circuit diagram.
- (ii) Logical inputs are given as per circuit diagram.
- (iii) Observe the output and verify the truth table.

Result: -

Study of 4 bit synchronous counter and verified its truth table

Precautions:-

1. All ICs should be checked before starting the experiment.
2. All the connection should be tight.
3. Always connect ground first and then connect Vcc.
4. Suitable type wire should be used for different types of circuit.
5. The kit should be off before change the connections.
6. After completed the experiments switch off the supply of the apparatus

Pre Experiment Questions:-

- 1) What is an asynchronous counter?

Ans: Asynchronous counter is one in which flip flops are connected in such a way that the first flip flop output is the clock for the next flip flop.

- 2) What is the major drawback of asynchronous counters?

Ans: High frequency applications are limited because of internal propagation delay.

- 3) What is modulus counter?

Ans: The number of states through which the counter passes before returning to the starting state is called modulus counter.

- 4) What is a state diagram?

Ans: A state diagram is a graphical representation represented by circles and the transition between states is indicated by directed lines connecting the circles.

5) What is state table?

Ans: The state table represents the state diagram in tabular form. It consists of present state, next state and flip flop inputs.

Post Experiment Questions:-

1) What factor determines whether a counter will operate as a count up or count down counter?

Ans: When the signal is high, the counter operates as an up counter, when the signal is low the counter operates as a down counter.

2) How many different states 2 bit asynchronous counters have?

Ans: 4

3) Differentiate between synchronous and asynchronous counters.

Asynchronous counter	Synchronous counter
1) All flip flops are not clocked simultaneously	1) All flip flops are clocked simultaneously
2) Design is very simple eve for more number of states	2) Complex logic circuits as the number of states increases.
3) Low speed	3) Higher speed as compared to asynchronous counters

4) How the up counter can be made to work as a down counter?

Ans: By taking the counter outputs Q^1 instead of Q the up counter can be made to work as a down counter.